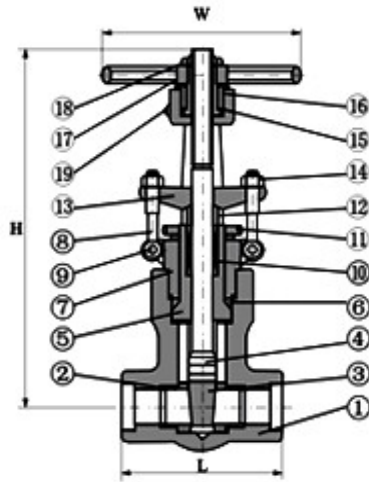


900-2500bs Pressure Seal Gate Valve



Standard:

Design & Manufacture: API 602, ASME B16.34

Test & Inspect: API 598

Marking: MSS-SP-25

Construction Features:

Full Port or Reduced Port

OS&Y

Self Aligning Packing Gland

Bolted Bonnet With Spiral-wound Gasket,

Threaded and Seal Welded Bonnet or Threaded

and Pressure Seal Bonnet

Integral Backseat

Socket Weld Ends to ANSI/ASME B16.11

Screwed Ends to ANSI/AME B1.20.1

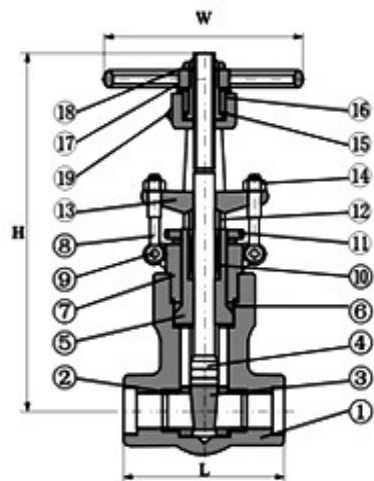
Material List

NO	Part Name	CS to ASTM	AS to ASTM	SS to ASTM		NO	Part Name	CS to ASTM	AS to ASTM	SS to ASTM	
		A105	F22	F304(L)	F316(L)			A105	F22	F304(L)	F316(L)
1	Body	A105	A182F22	A182F304(L)	A182F316(L)	12	Gland	A276F420		A182F304	
2	Seat	A276420	A276304	A276304(L)	A276316(L)	13	Gland Flange	A216WCB		A182F304	
3	Wedge	A182F430&410	A182F304	A182F304(L)	A182F316(L)	14	Nut	A1942H	A1944	A1948	A1948M
4	Stem	A182F6	A182F304	A182F304(L)	A182F316(L)	15	Stem Nut	A276-410			
5	Pressure Seal Seat	A105	A182F304	A182F304(L)	F316(L)	16	Retaining Nut	A1942H	A1944	A1948	A1948M
6	Pressure Seal Ring	A216 304L		A276316L		17	Handwheel	A197			
7	Bonnet	A105	A182F22	A182F304(L)	A182F316(L)	18	H.W. Lock nut	A1942H	A1944	A1948	A1948M
8	Gland Eyebolt	A193B7	A193B16	A193B8(M)		19	Oil Cup	Carbon or Brass			
9	Pin	A276F420		A182F304(L)							
10	Stem Packing	Flexible Graphite		PTFE		Suitable Medium	W.O.G etc	W.O.G etc	HNO3, CH3OOH etc		
11	Lock Nut	A1942H	A1944	A1948	A1948M	Suitable Temp.	-29 ~ 425	-29 ~ 550	-29 ~ 180		

Note: Other material are available upon request

CS=Carbon Steel; AS=Alloy Steel; SS=Stainless Steel

900-2500bs Pressure Seal Gate Valve



Standard:

Design & Manufacture: API 602, ASME B16.34

Test & Inspect: API 598

Marking: MSS-SP-25

Construction Features:

Full Port or Reduced Port

OS&Y

Self Aligning Packing Gland

Bolted Bonnet With Spiral-wound Gasket,

Threaded and Seal Welded Bonnet or Threaded
and Pressure Seal Bonnet

Integral Backseat

Socket Weld Ends to ANSI/ASME B16.11

Screwed Ends to ANSI/AME B1.20.1

Dimensions & Weight

NPS		mm(in)	1/2"	3/4"	1"	1 1/4"	1 1/2"	2"
L	900-1500lb	mm	140	140	140	178	178	216
	2500lb	mm	186	186	186	232	232	279
H(Open)		mm	321	321	321	380	414	502
W		mm	160	160	180	200	250	280
Weights	900-1500lb	Kg	11.5	10.8	10.5	19.6	21.0	55.4
	2500lb	Kg	12.3	11.6	10.8	26.0	28.4	60.0