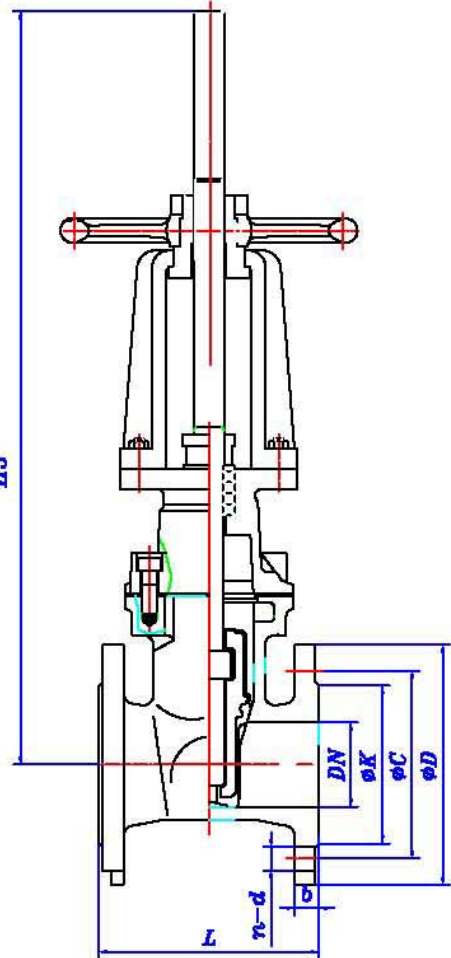
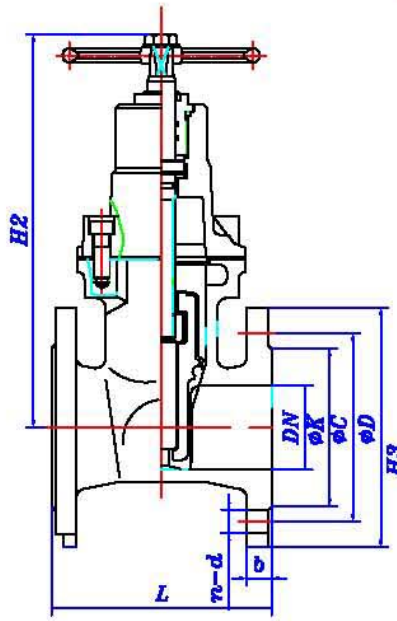
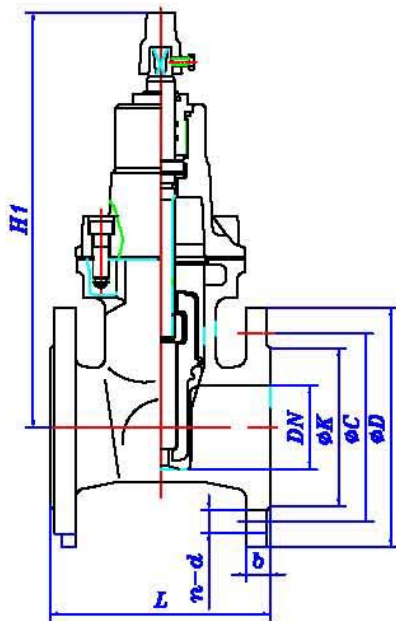


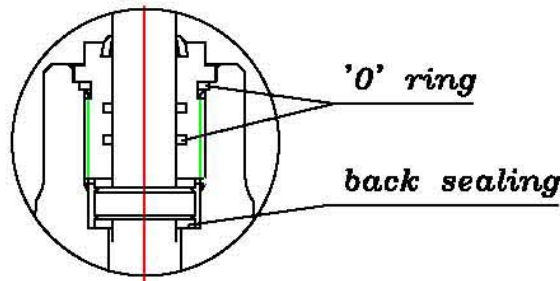


Resilient-seated Gate Valve (Cast iron or ductile iron)

DIN3352 PN16



Packing detail



Component	Material
Body	Cast iron or ductile iron
Bonnet	Cast iron or ductile iron
Wedge	NBR or EPDM coated Cast iron or ductile iron
Stem	Stainless steel or Cppper alloy
Stem nut	Copper alloy
Stem seating	NBR or EPDM "O" ring or Flexible graphite

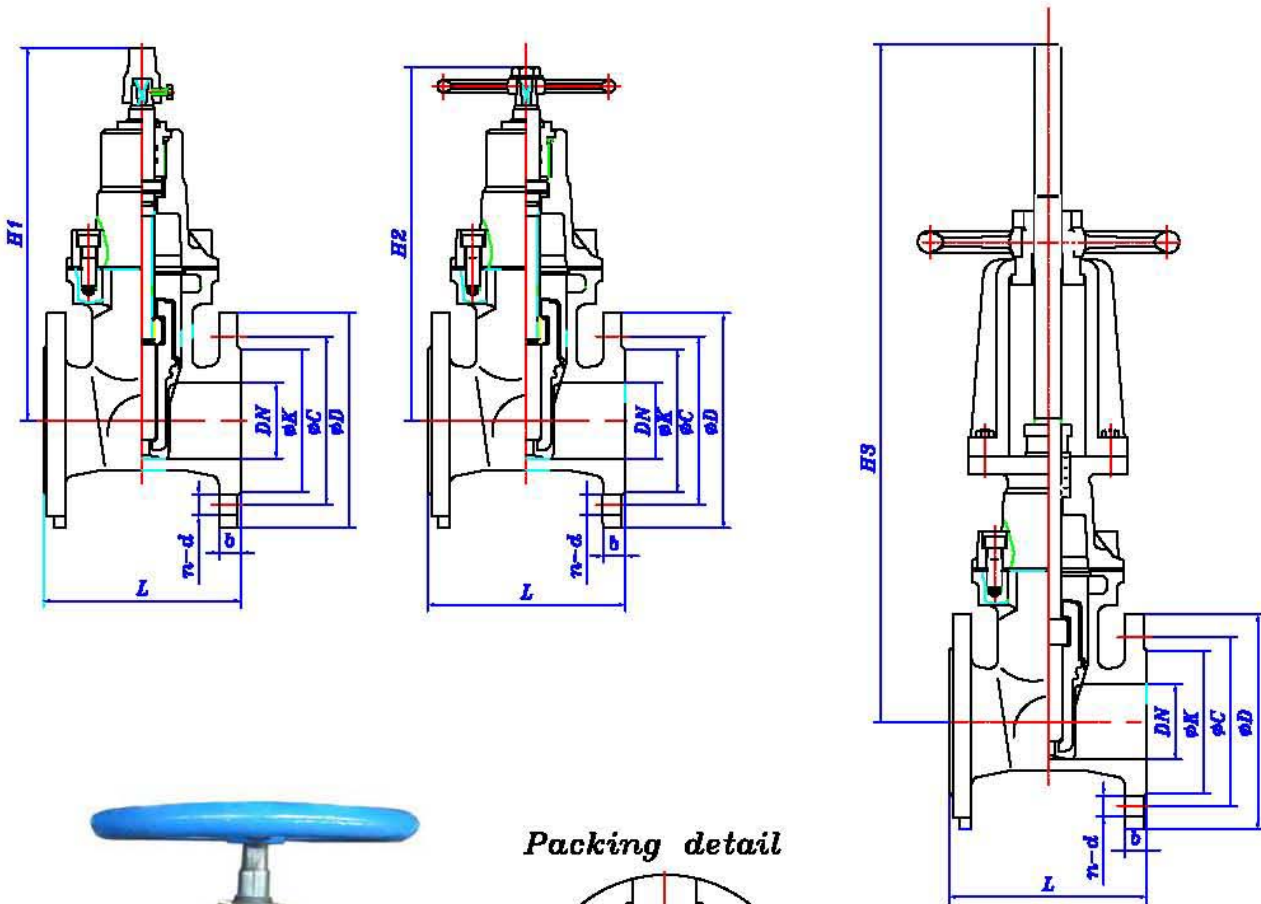
		MPa
Available Standard	DIN3352	
Working Pressure	1.6	
Test Pressure	Body	2.4
	Seat	1.76

DN	ISO2531 PN16						DIN3202		Overall Height		
	D	C	K	$\frac{b}{C.L.}$	$\frac{b}{D.L.}$	n-d	F4 L	F5	H1	H2	H3
50	165	125	98	20	19	4-φ19	150	250	325	262	308
65	185	145	118	20	19	4-φ19	170	270	359	298	383
80	200	160	133	22	19	8-φ19	180	280	386	323	462
100	220	180	153	24	19	8-φ19	190	300	420	359	515
125	250	210	183	26	19	8-φ19	200	325	466	410	574
150	285	240	209	26	19	8-φ23	210	350	513	460	646
200	340	295	264	30	20	12-φ23	230	400	617	567	812
250	400	355	319	32	22	12-φ28	250	450	818	768	1026
300	455	410	367	32	24.5	12-φ28	270	500	998	953	1265

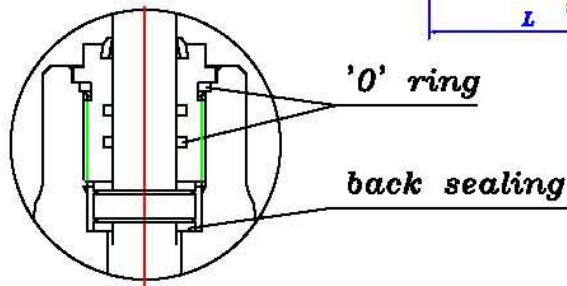


Resilient-seated Gate Valve (Cast iron)

DIN3352 PN10



Packing detail



Component	Material
Body	Cast iron
Bonnet	Cast iron
Wedge	NBR or EPDM coated Cast iron
Stem	Stainless steel or Copper alloy
Stem nut	Copper alloy
Stem sealing	NBR or EPDM "O" ring or Flexible graphite

		MPa
Available Standard		DIN3352
Working Pressure		1.0
Test Pressure	Body	1.5
	Seat	1.1

DN	DIN2532 PN10					DIN3202		Overall Height		
	D	C	K	b c.i.	n-d	F4	F5	H1	H2	H3
						L				
50	165	125	102	20	4-φ18	150	250	325	262	306
65	185	145	122	20	4-φ18	170	270	359	296	383
80	200	160	138	22	4-φ18	180	280	386	323	462
100	220	180	158	22	8-φ18	190	300	420	359	515
125	250	210	188	24	8-φ18	200	325	466	410	574
150	285	240	212	24	8-φ23	210	350	513	460	646
200	340	295	268	26	8-φ23	230	400	617	567	812
250	395	350	320	28	12-φ23	250	450	818	768	1026
300	445	400	370	28	12-φ23	270	500	998	953	1265