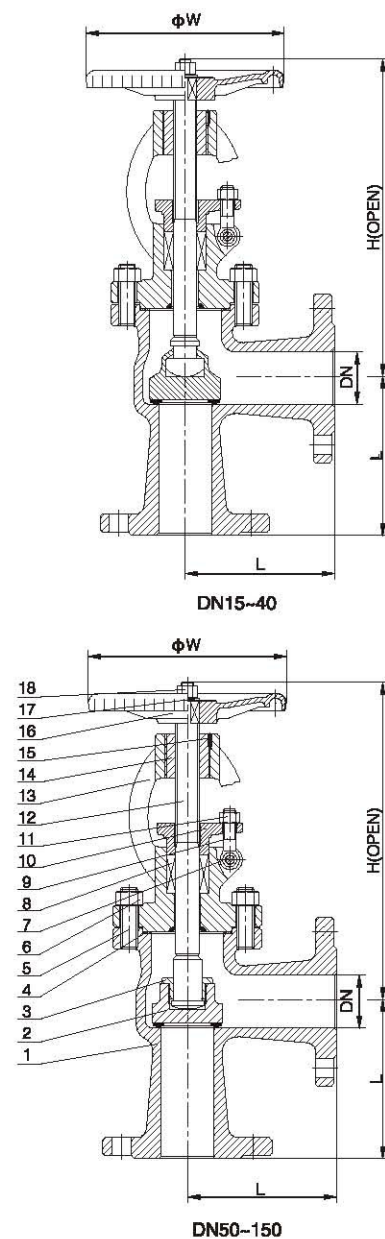


DIN Angle Globe Valve F32 Series (PN16,PN25,PN40)

Gate Valve, Globe Valve, Plug Valve, Check Valve, Butterfly Valve,
Power Station Valve, Oilfield Dedicated Valve, Y-Strainer.



MAIN PARAMETER SPECIFICATION

Design and manufacture: DIN3356
Face to face: DIN3202-F32,EN558-1
End flange Dimensions: DIN2543(PN16), DIN2544(PN25),
DIN2545(PN40), EN1092-1
Pressure test: DIN3230,EN12266-1

MAIN PART MATERIAL

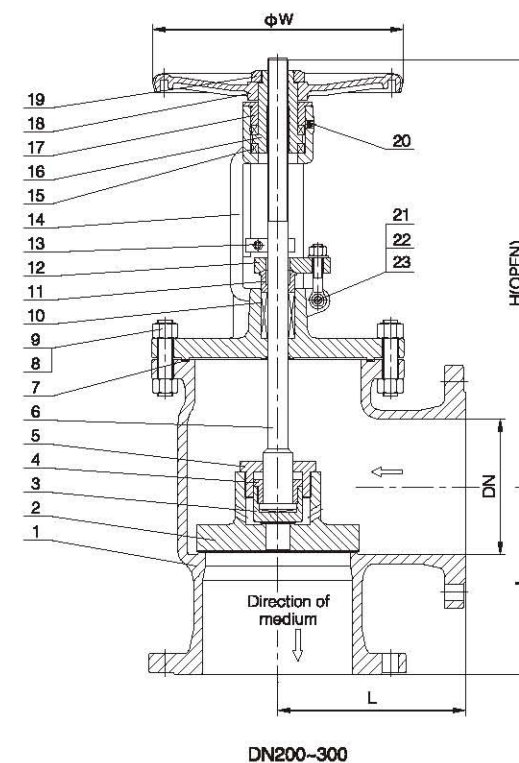
No	Part Name	Material
1	Body	GS-C25+13Cr
2	Disc	A105+13Cr
3	Disc Nut	Carbon Steel
4	Gasket	Graphite
5	Bolt	A193 B7
6	Nut	A194 2H
7	Pin	Carbon Steel
8	Packing	Graphite
9	Eye Bolt	A193 B7
10	Gland	GS-C25
11	Nut	A194 2H
12	Stem	A182 F6a
13	Bonnet	GS-C25
14	Stem Nut	Bronze
15	Grub Screw	Carbon Steel
16	Handwheel	A105
17	Washer	Carbon Steel
18	Nut	A194 2H

Dimensions and Weights

DN	15	20	25	32	40	50	65	80	100	125	150
L	90	95	100	105	115	125	145	155	175	200	225
H	193	200	223	256	273	287	328	352	400	452	480
W	PN16	120	120	160	160	200	200	220	250	300	350
	PN25	120	120	160	160	200	200	220	250	300	350
	PN40	120	120	160	160	200	240	280	320	360	400
Weight(kg)	PN16	6	7.5	8	9	14	18	26	29	48	69
	PN25	6	7.5	8	9	15	19	29	31	52	72
	PN40	7	8.5	9	12	16	20	32	34	55	78

DIN Angle Globe Valve F32 Series (PN16,PN25,PN40)

Gate Valve, Globe Valve, Plug Valve, Check Valve, Butterfly Valve,
Power Station Valve, Oilfield Dedicated Valve, Y-Strainer.



MAIN PARAMETER SPECIFICATION

Design and manufacture: DIN3356
Face to face: DIN3202-F32,EN558-1
End flange Dimensions: DIN2543(PN16), DIN2544(PN25),
DIN2545(PN40), EN1092-1
Pressure test: DIN3230,EN12266-1

MAIN PART MATERIAL

No	Part Name	Material
1	Body	GS-C25+13Cr
2	Big Disc	A105+13Cr
3	Small Disc	A105+13Cr
4	Small Disc Nut	A105
5	Big Disc Nut	A105
6	Stem	A182 F6a
7	Gasket	Graphite
8	Nut	A194 2H
9	Bolt	A193 B7
10	Packing	Graphite
11	Gland	A182 F6a
12	Gland Flange	GS-C25
13	Splint	Carbon Steel
14	Bonnet	GS-C25
15	Bearings	Alloy Steel
16	Stem Nut	A439 D2
17	Retaining Nut	1035
18	Handwheel	A536
19	Nut	Carbon Steel
20	Nipple	Brass
21	Pin	Carbon Steel
22	Bolt	A193 B7
23	Nut	A194 2H

Dimensions and Weights

DN	200	250	300
L	275	325	375
H	730	780	880
W	PN16	450	500
	PN25	450	500
	PN40	500	550