

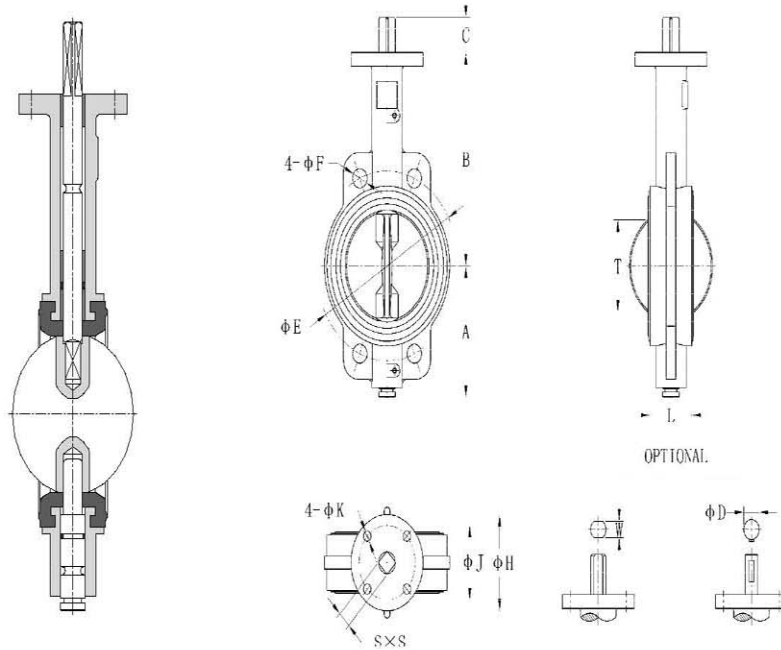
Series F203 butterfly valves designed to comply with MSS SP-67, BS5155 and API 609. Compatible with GB, ANSI, DIN, BS, JIS flanges. The seat of series F203 butterfly valve is designed into without back. The tongue-and -groove seat is lower torque and field replaceable There is O-ring casted on the seal surface of the seat, negates need for flange gaskets. Available in size 1" to 24". Available in wafer type, lug type body. Available with handles, manual gear operators, and electric or pneumatic actuators.

### Materials List

Item	Part Name	Materials
1	Upper Stem	Zinc Plated Steel; Stainless Steel: ASTM A276 Type 316, Type 410, Type 420; ASTM A582 Type 416;
2	Body	Cast Iron: ASTM A126CL. B, DIN1691 GG25, EN 1561 EN-GJL-200; GB12226 HT200; Ductile Cast Iron: ASTM A536 65-45-12, DIN 1693 GGG40, EN1563 EN-GJS-400-15, GB12227 QT450-10;
3	Disc	Ductile Cast Iron(Nickel plated or Nylon coated): ASTM A536 65-45-12, DIN 1693 GGG40, EN1563 EN-GJS-400-15, GB12227 QT450-10; Stainless Steel: ASTM A351 CF8, CF8M; CF3, CF3M; EN 1.4408, 1.4469; 1.4501; AL-Bronze: ASTM B148 C95400;
4	Seat	NBR, EPDM, Neoprene, Viton;
5	Lower Stem	Zinc Plated Steel; Stainless Steel: ASTM A276 Type 316, Type 410, Type 420; ASTM A582 Type 416;
6	O-Ring	NBR, EPDM, Neoprene, Viton;
7	Spring Pin	Carbon Steel; Stainless Steel
8	Bushing	PTFE, Nylon, Lubricated Bronze;



## Series F203 Wafer Type Butterfly Valve



### Dimensions List (mm)

Size		E				F														
mm	inch	A	B	C	D	ANSI 125/150	PN10	PN16	10K	ANSI 125/150	PN10	PN16	10K	H	J	K	L	T	S	W
25	1	61	110	32	12.7	79.4	85	85	90	16	14	14	19	65	50	7	30	16	9	10
32	1¼	61	110	32	12.7	88.9	100	100	100	16	18	18	19	65	50	7	30	16	9	10
40	1½	79	145	32	12.7	98.4	110	110	105	16	18	18	19	65	50	7	33	27	9	10
50	2	85	162	32	12.7	120.7	125	125	120	19	18	18	19	65	50	7	42	32	9	10
65	2½	98	174	32	12.7	139.7	145	145	140	19	18	18	19	65	50	7	45	47	9	10
80	3	104	181	32	12.7	152.4	160	160	150	19	18	18	19	65	50	7	45	65	9	10
100	4	123	200	32	15.9	190.5	180	180	175	19	18	18	19	90	70	9.5	52	90	11	12
125	5	136	213	32	19.1	215.9	210	210	210	22	18	18	23	90	70	9.5	54	111	14	14
150	6	148	225	32	19.1	241.3	240	240	240	22	22	22	23	90	70	9.5	56	145	14	14
200	8	186	260	38	22.2	298.5	295	295	290	22	22	22	23	125	102	11.5	60	193	17	17
250	10	212	292	38	28.6	362	350	355	355	25	22	26	25	125	102	11.5	66	241	22	22
300	12	251	337	38	31.8	431.8	400	410	400	25	22	26	25	125	102	11.5	77	292	22	24
350	14	277	368	45	31.8	476.3	460	470	445	29	22	26	25	125	102	11.5	77	325	22	24
400	16	308	400	51	33.3	539.8	515	525	510	29	26	30	27	210	165	22	102	380	27	27
450	18	342	422	51	38.1	577.9	565	585	565	32	26	30	27	210	165	22	114	428	27	27
500	20	374	479	64	41.3	635	620	650	620	32	26	33	27	210	165	22	130	474	27	32
600	24	459	562	70	50.8	749.3	725	770	730	35	30	36	33	210	165	22	152	575	36	36

✦ Please contact manufacturer if you want more flange standards.