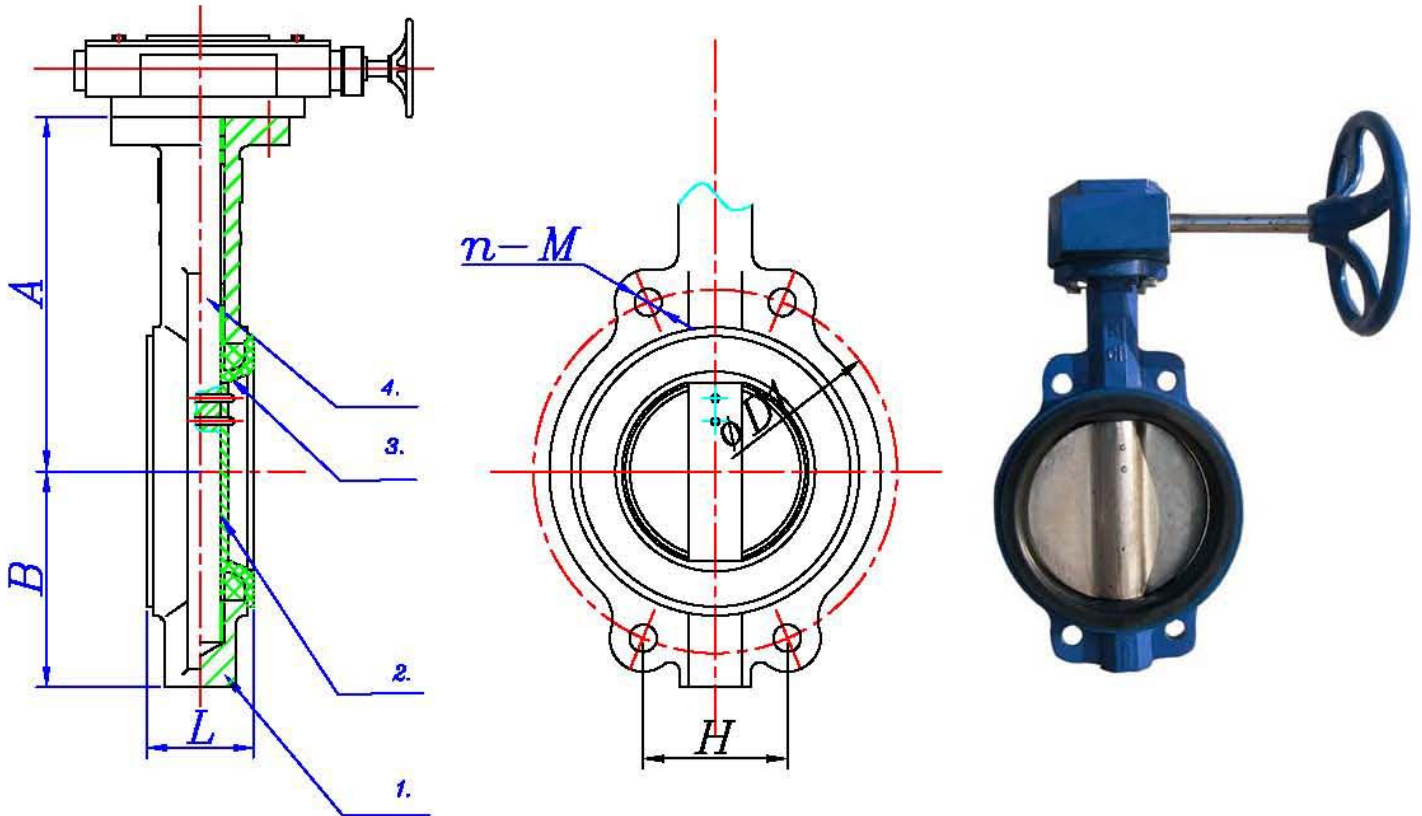




Wafer type butterfly valves (gear op)

Class 150



TEST PRESSURE	BODY	24	Bar
	SEAT	17.6	
WORKING PRESSURE	16		
FLOW MEDIUM	WATER		
SUITABLE TEMPERATURE	<=65°		

4. Spindle	Stainless steel	2Cr13
3. Body seat ring	EPDM	
2. Disc	Ductile iron	BS2789 Gr.500 /7
1. Body	Ductile iron	BS2789 Gr.500 /7
NO. COMPONENT	MATERIAL	SPEC.

SIZE	DN	øD1	n-M	H	A	B	L	weight(kg)
6"	150	241.5	4-M20	92.4	226	139	55.8	16.3
8"	200	298.5	4-M20	114.2	260	175	60.6	27.7
10"	250	362.0	4-M24	93.7	292	203	65.6	33.5
12"	300	432.0	4-M24	111.8	337	242	76.9	49
14"	350	476.0	4-M24	123.2	368	267	76.9	59
16"	400	539.5	4-M30	105.3	400	301	86.5	88
18"	450	578.0	4-M30	113	422	327	105.6	123