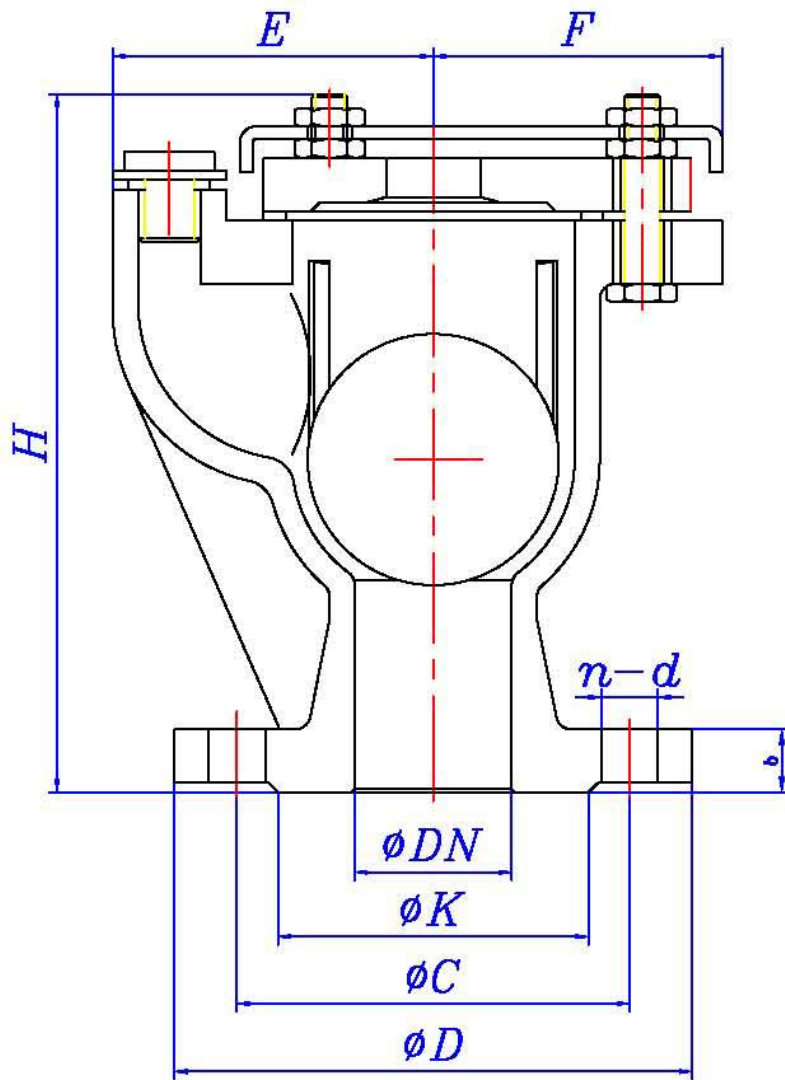




Single large orifice type B air valve

JKR20709-0331-94 PN16



Component	Material
Body	Cast Iron
Float Ball	NBR
Cover	Cast Iron
Plate	Cast Iron
Gasket	Rubber
Plug	Brass

		MPa
Available Standard		JKR 20709-0331-94
Working Pressure		1.6
Test Pressure	Body	2.4
	Seat	1.76
Reseat Pressure		1.6~0.35

DN	BS4504		PN16		H	E	F
	D	C	K	n-d			
50	165	125	99	20 4- $\phi 19$	216	115	92
100	220	180	156	24 8- $\phi 19$	285	145	120
150	285	240	211	26 8- $\phi 23$	385	190	160
200	340	295	266	30 12- $\phi 23$	500	205	185